



REEL TECH

TECHNICAL DOCUMENT

HDI 25 – Dual Wire Hoist

Key Features :

Lifting weight of up to 25kg

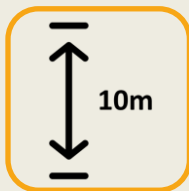
Lowering distance 10m

Safety locking device

Remote controlled

Manual key switch built in

Pre wired terminals



Please note the following warnings!

Warranty is void with non-compliance!



DO NOT operate the lift without the minimum weight or the lift will fail!



DO NOT carry the lift by the cables!

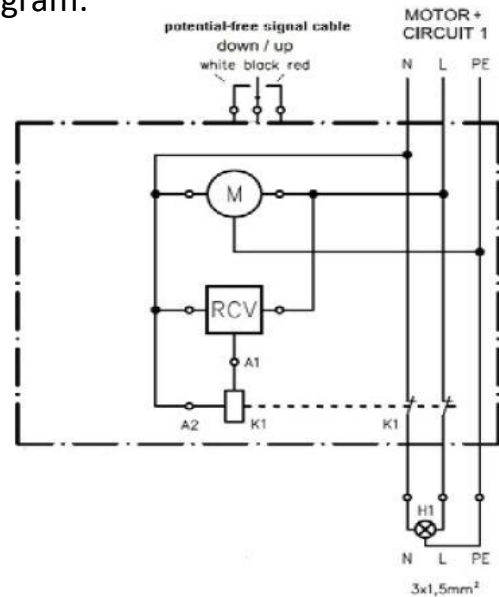


DO NOT apply any external voltage to the signal control wires!

Overview:



Wiring Diagram:



Brand	REELTECH		
Product	HDI 25		
Rated Specification		Lowering / Raising Specification	
Type	HOOK	Model	HDI 25
Model	HDI 25	Lifting weight of fitting	10 - 25kg
Option	Standard	Lowering distance (m)	10
Operating voltage	240v 50Hz	Lowering / Raising Speed	2.0/2.4 m/min
Wattage	40w	Lamp Circuit	
Dimensions	180x174.5x227.5mm	Model	HDI 25
Unit Net Weight	6.7kg	No. Of Circuits	1
Ambient Temperature	-15* to 40*	No. Of Contacts	2
Construction		Lamp Capacity	16 amp
Model	HDI 25		
Protection category	IP54	Certification	
Suspension Wire Dia	1.6mm	Standards	ISO9001, ISO14001, ETL, CE, TUV, SAA, GOST

Safety Locking Device :



The Safety locking device provides additional security when the lift is at rest.

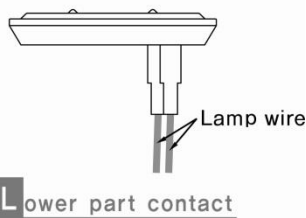
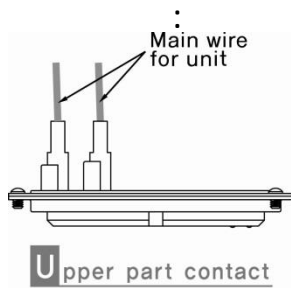
Special safety locking jaws engage to take the load off the suspension cables.

The jaws remain locked even in the event of a power failure and only disengage when the lift is operated.

Electrical contact is made by way of spring loaded contacts plates within the main unit and fixed contacts in the lowering coupler of the lift.

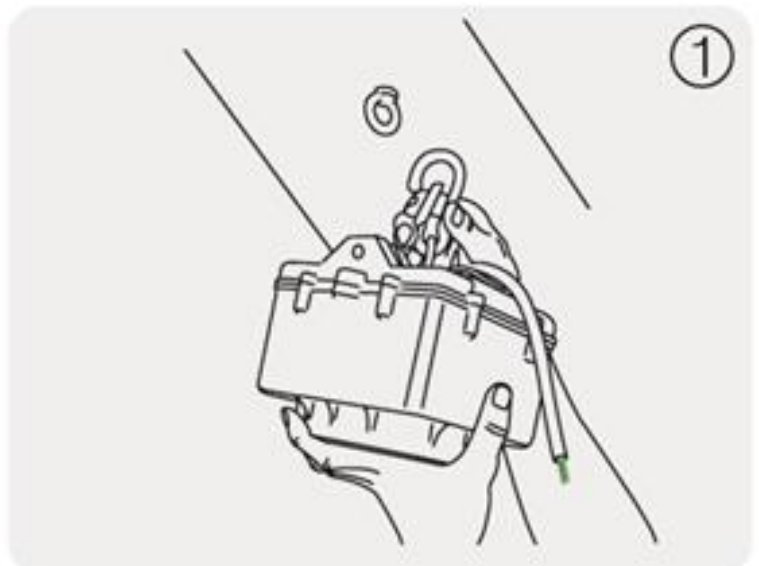
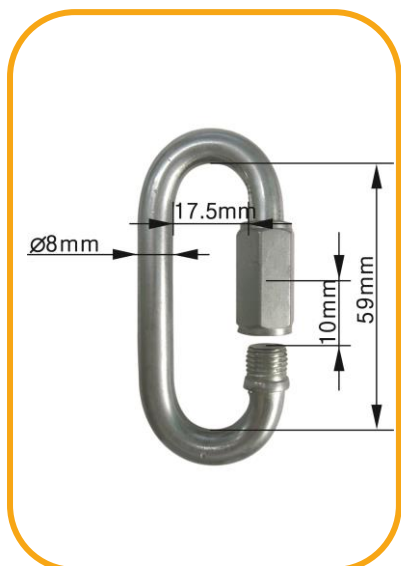
Upon lowering the lift the internal relay isolates the electrical supply, once in the raised position the relay returns power to the lower contacts

Electrical Contact Plates

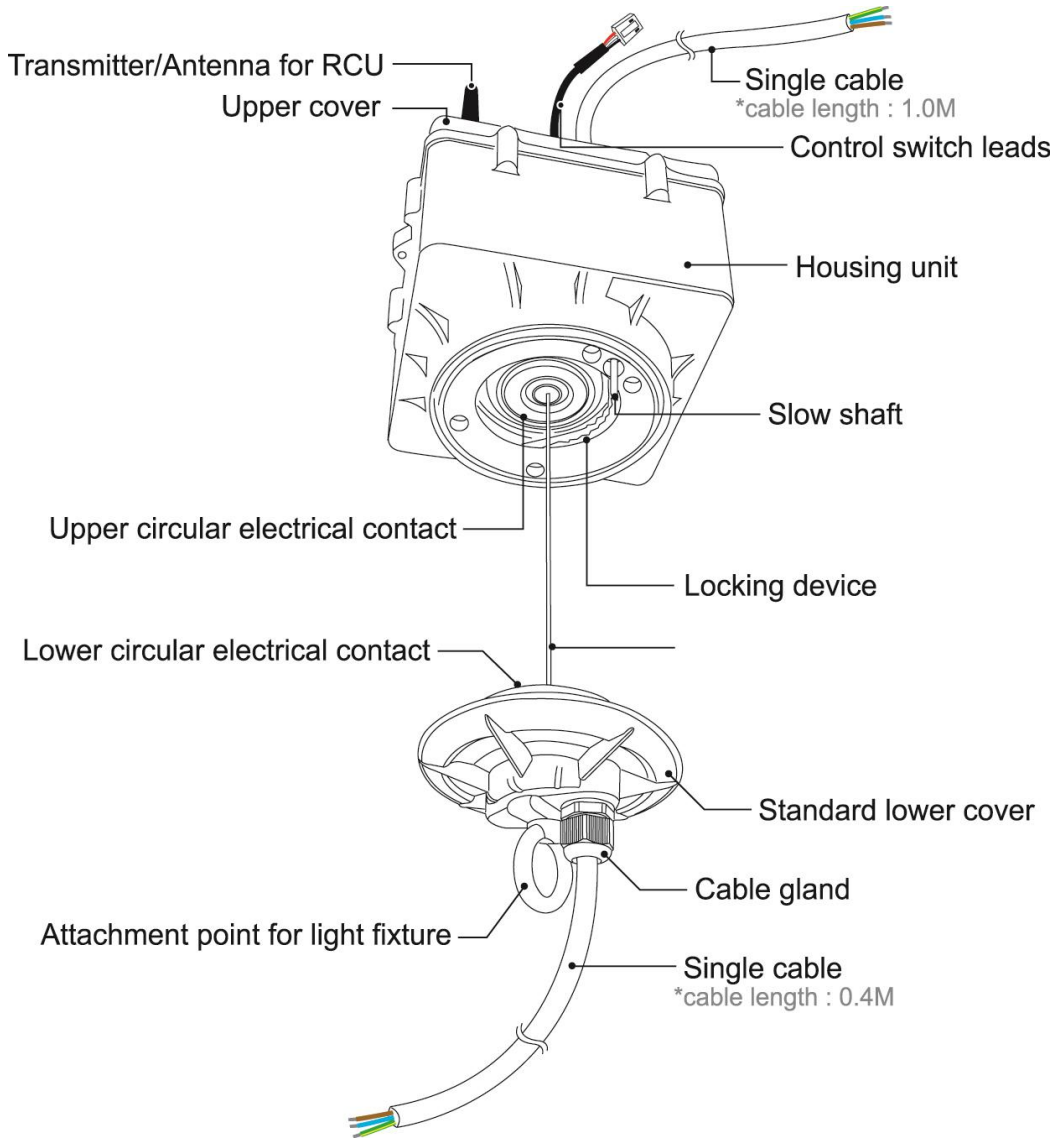


Standard mounting option :

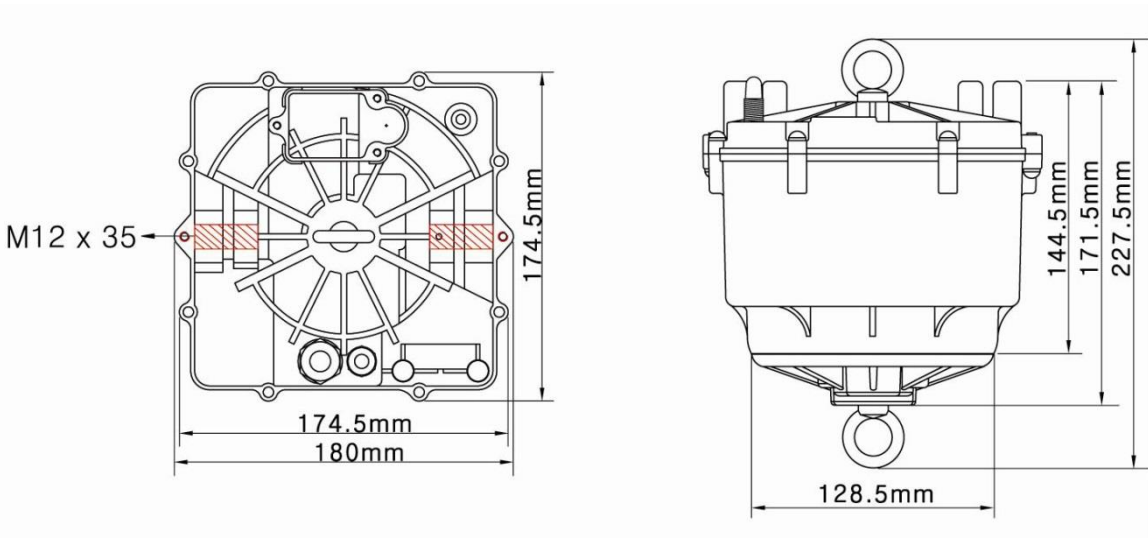
NB* Secondary fixing point or tether maybe required, If in doubt please consult a structural engineer for advise



Product Overview :



Dimensions :

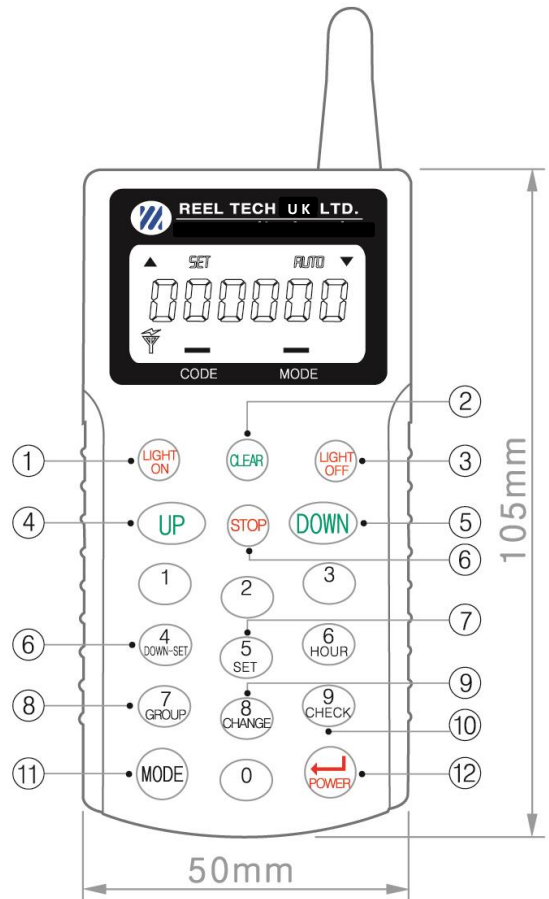




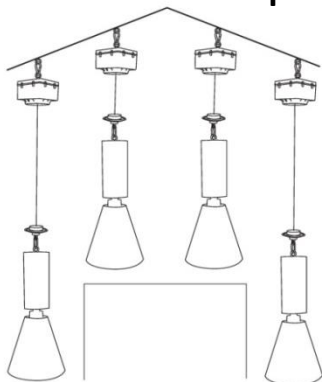
Remote control : or RCU can control up to 999 lift addresses
 Each lift has its own integrated radio receiver with a unique serial address.

The RCU operates in the license-free ISM band of 433.92 MHz The range is circa 100 metres.
 Lifts can be controlled individually, in pairs or in multiple groups.

- ① LIGHT ON "ON" button for Lighting
- ② CLEAR erase the value
- ③ LIGHT OFF "OFF" button for Lighting
- ④ UP To ascend lifter
- ⑤ DOWN To descend lifter
- ⑥ 4 DOWN-SET STOP Control button for descending length
- ⑦ 5 SET Set mode is secured by password please contact local retailer or agency
- ⑧ 7 GROUP Group button for group functions
- ⑨ 8 CHANGE Select switch button for unit code and serial number code.
- ⑩ 9 CHECK To check serial number with unit code.
- ⑪ MODE Mode button is used in conjunction with the following buttons
 4 DOWN-SET 5 SET 6 HOUR 7 GROUP 8 CHANGE 9 CHECK
- ⑫ POWER Power button for Remote control

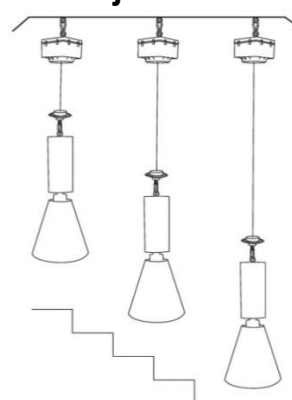


Auto Stop Feature :



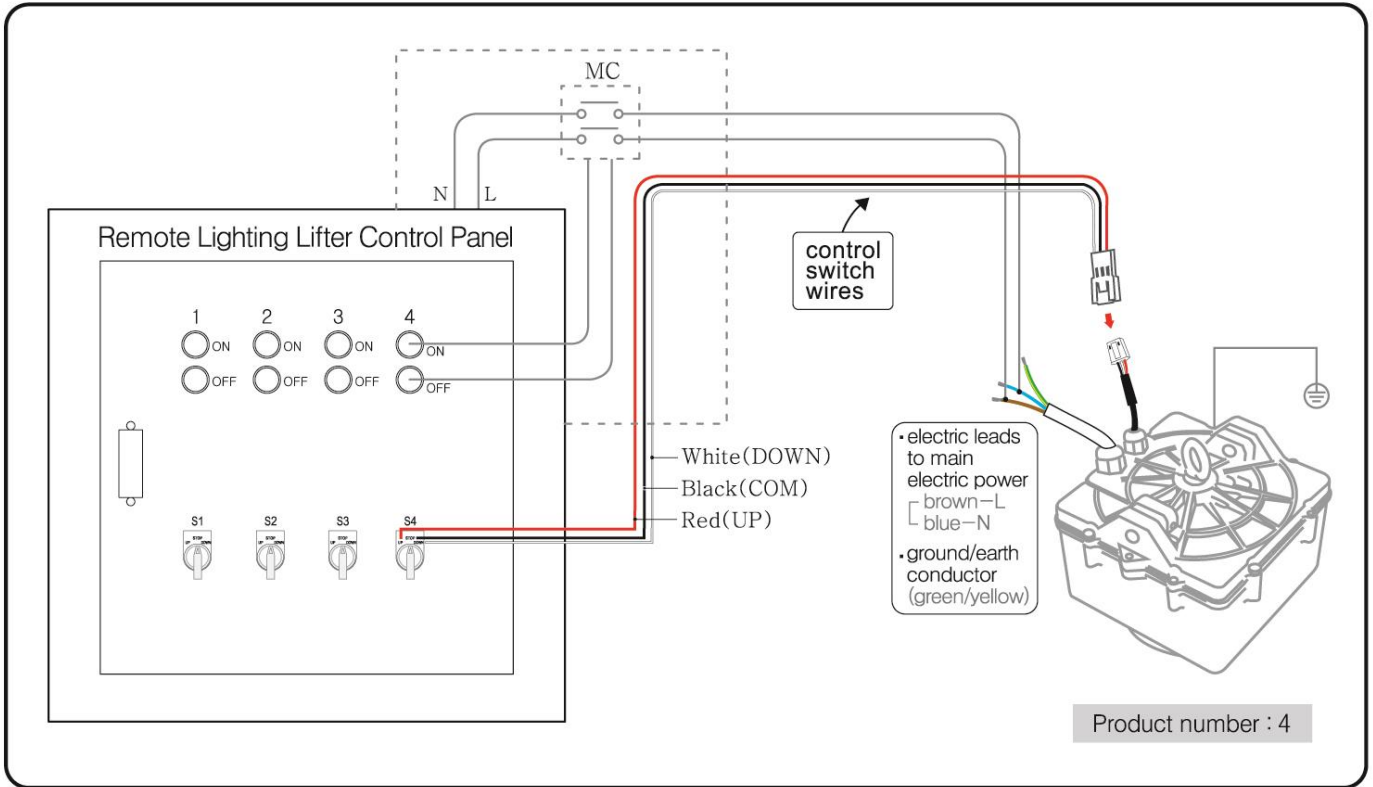
When lowering, the lift stops automatically if the decent is interrupted or when it reaches the ground.

Adjustable Lowering Height :



Each lift can be set to stop at the users desired lowering height. This can be stored in the lift for future operations

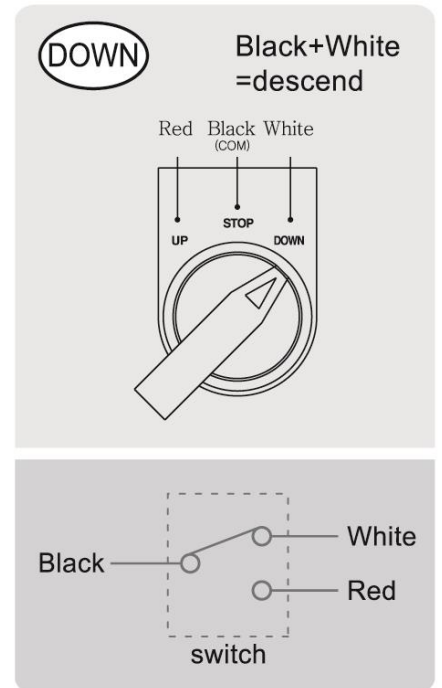
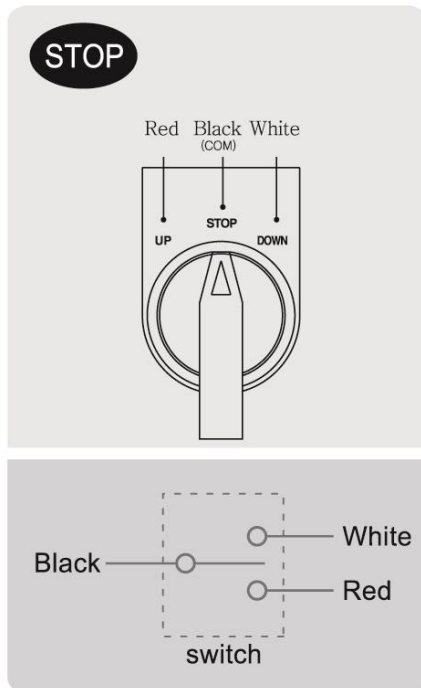
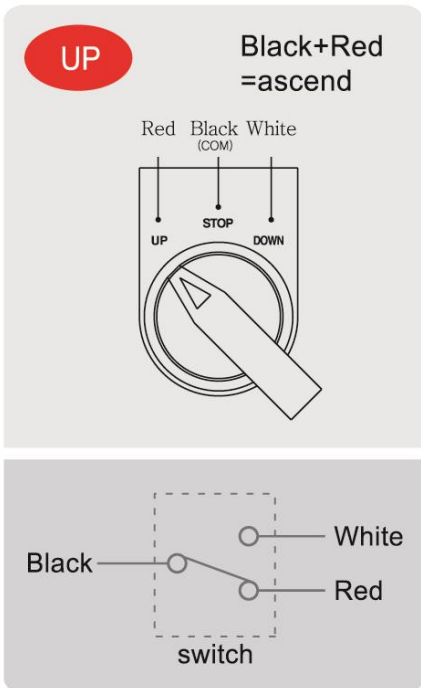
Keyswitch operation example :



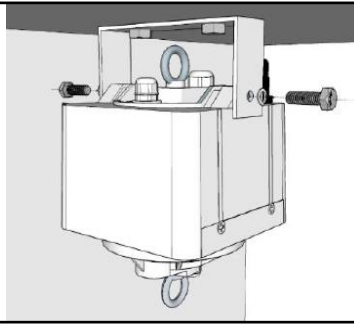
Keyswitch Control :

Control switch

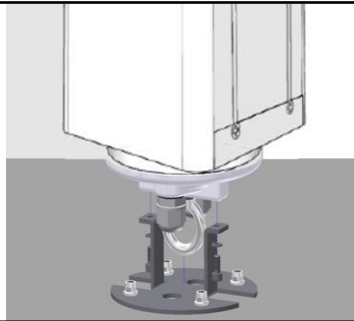
⚠ Do not connect Black+Red+White
Do not connect any voltage.



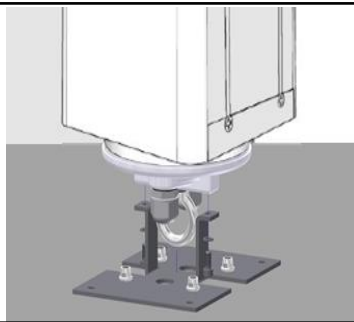
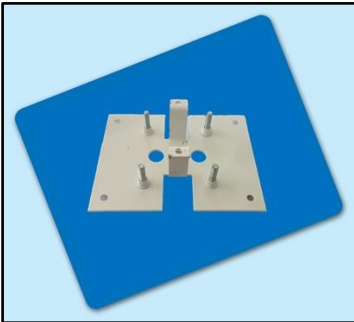
Optional Product Accessories Examples :



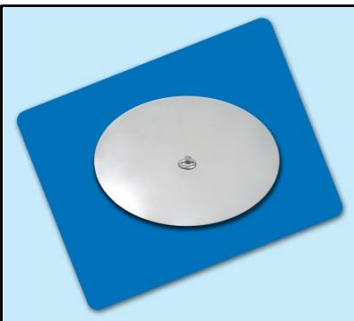
MB A : Used to securely mount the lift to the ceiling substrate with two points of fixing.



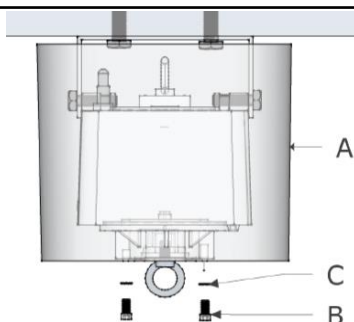
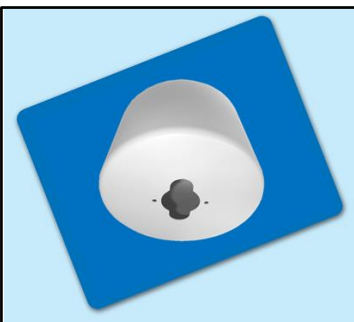
RMP : Ideal to mount round ceiling rose type fixture bases or pendant mounts.



RCMP F : Ideal to mount square or rectangular type fittings and fixtures



RA ME : Used to recess the lift behind a suspended ceiling to conceal the lift from view.



AH A : Used to cover surface mounted lifts, can also be painted to match ceiling colour.



REEL TECH UK LTD
Unit 1 Mere Farm Business Complex
Red House Lane
Hannington
Northampton
NN6 9SZ
United Kingdom
T: 01604 643522
F: 01604 697028
E: enquiries@reeltechuk.com

www.reeltechuk.com