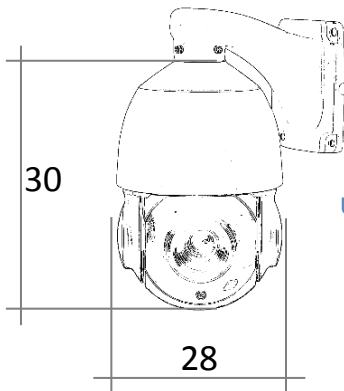




### Key Features

- 2.1 Mega Pixel Resolution
- Full 1080p real time video
- Infra Red Illumination
- IP66
- IP Network Ready

### Dimensions



Units in cm

### RT – PTZ 2202 IP

Camera	
Image Sensor	1 / 2.7" Sony low Illumination 2.1MP CMOS sensor
Horizontal Resolution	1080P
Sound to Noise Ratio	>50db
PTZ	
Horizontal Rotation Speed	45 degree/S
Horizontal Rotation Range	360 degree
Tilt Rotation Speed	30 degree/S
Tilt Rotation Range	93 degree
Auto Flip	Supported
360 Scan	Supported
Preset Points	220
Guard Tours	3 Groups
Guard Points	Max 16 points
LENS	
Focus Length	3.9mm – 85.5mm
Focus Control	22 x Optical Zoom
NIGHT VISION	
Infrared LED	42 x 6 PCS
IR Range	60 Metres
Auto Control IR LED	PWM
NETWORK	
Network Protocol	TCP/IP , DHCP , SMTP , DDNS , DNS , PPPoE , P2P
ONVIF	Supported
Network Interface	Built in RJ 45 network interface supports 10/100m IP DATA
GENERAL	
Weatherproof	IP66
Operating Temperature	Indoor 0 ~ +40 Outdoor -20 ~ +60
Operating Humidity	<90% Non Condensing
Heater & Blower	Auto temperature control
Power	DC 12V 2A/3A
Lightning Protection	Transient Voltage 6000v
Dimensions	30x28x17cm
Weight	2.5Kgs

### Accessories



Corner Mount Bracket – PTZ CM



Pole Mount Bracket – PTZ PM