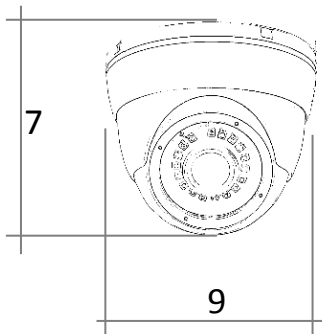




Key Features

- 1/2/3/4Mega Pixel Resolution
- Full 1080p real time video
- Infra Red Illumination
- IP66
- Vandal Resistant Housing
- 2MP & 4MP SD card slot available
- POE Versions Available

Dimensions



Units in cm

RT – SVD - 1 / 2 / 3 / 4

Camera	
Image Sensor	1MP IMX225, 2MP IMX323, 3MP IMX123, 4MP OV4689
Effective Pixels	1MP 1305*977 / 2MP 1985*1105 / 3MP 2065*1553 / 4MP 2688*1520
Sound to Noise Ratio	>52db
Main Processor	HI3518EV200 / HI3516CV200 / HI3516D / S2L55
Compression	H.264 / JPEG / AVI / MJPEG
TV System	PAL/NTSC
Electronic Shutter time	Auto: PAL 1/25-1/10000Sec; NTSC 1/25-1/10000Sec
Scanning System	Progressive
Video Output	Network
Pixels	1MP / 2MP / 3MP / 4MP
Lens Type	Manual
Motion Detection	Supported
Privacy Masking	3 Rectangular Zones
LENS	
Focus Length	3.6mm
Focus Control	Manual (Auto versions available)
NIGHT VISION	
Infrared LED	14 x 18 PCS
IR Range	20 Metres
Auto Control IR LED	Under 10 lux
NETWORK	
Network Protocol	TCP/IP, DHCP, SMTP, DDNS, DNS, PPPoE, P2P
ONVIF	Supported
Network Interface	Built in RJ 45 network interface supports 10/100m IP DATA
GENERAL	
Weatherproof	IP66
Operating Temperature	-20 ~ +60
Storage Temperature	-20 ~ +60
Heater & Blower	N/A
Power	DC 12V+/-10% 500mA
IR cut Filter	Yes
Dimensions	9 x 7 cm
Weight	450 g

Accessories



Base Mount Bracket – MVD BM



Pendant Mount Bracket – MVD PDM